

ALTOGETHER CONVINCING  
SANITARY TECHNOLOGY.

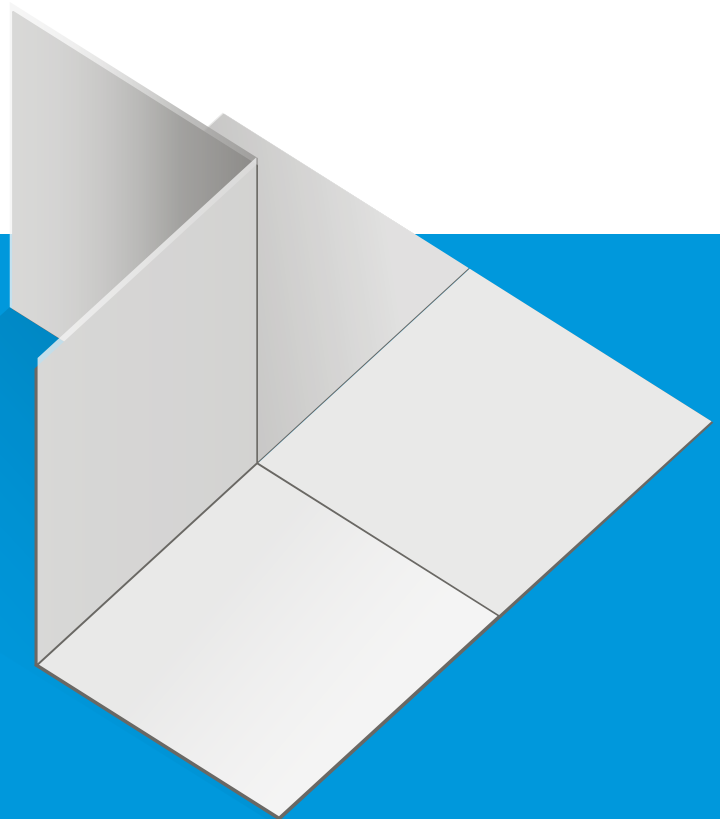


# GABAG SEALING CORNER 3D

THE PERFECT SOLUTION

**ACCESSORY  
PART**

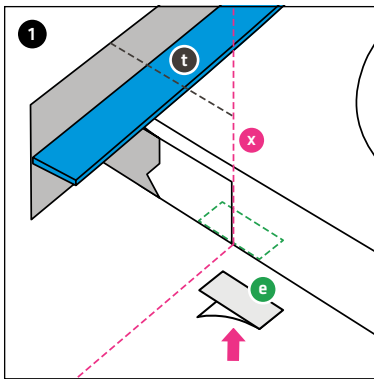
Sold separately



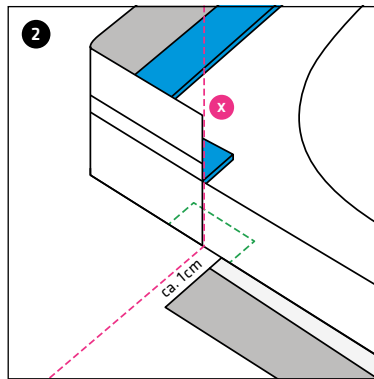
SWISS MADE | COPYRIGHT AND PATENT APPLIED FOR  
SUBJECT TO TECHNICAL CHANGES

# MOUNTING INSTRUCTION FOR GABAG SEALING CORNERS 3D COMBINED WITH GABAG FLEXZARGE® SCHNITTSCHUTZ® 3D CUT-PROTECTING MATERIAL

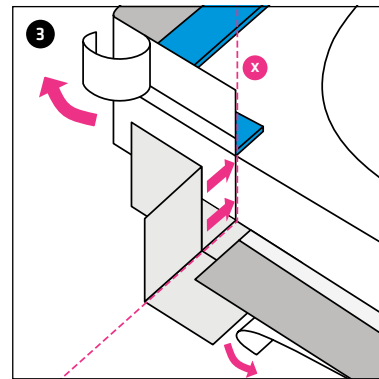
With the exception of the corner connector, all mounting steps are identical to the GABAG FLEXZARGE® Cut Protection® 3D mounting instructions.



Before mounting the FLEXZARGE®, apply the corner connection piece **e** under the edge of the bathtub and press it on firmly. The middle of the corner connection piece should match with the edge of the prewall system **x**. Then the FLEXZARGE® is mounted parallel in the depth to the pre-wall system **t**. The FLEXZARGE should end precisely with the front edge of the pre-wall system **x**.

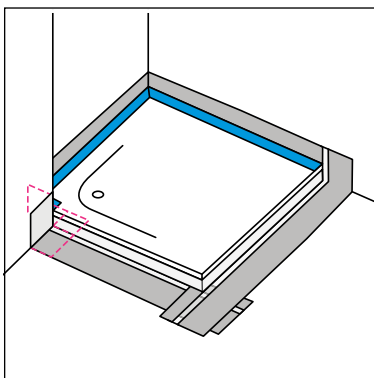


Install the horizontal sealing tape approx. 1 cm from the edge of the FLEXZARGE® **x**.



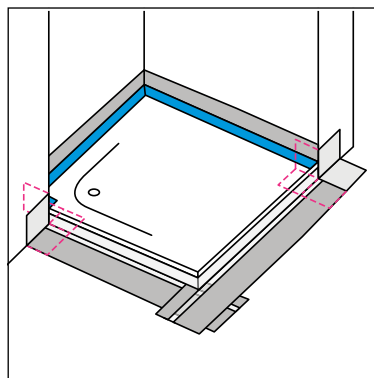
Remove the protective film from the FLEXZARGE® Schnitenschutz® and the horizontal sealing tape. Remove the protective film from the 3D sealing corners and stick it on the edge of the FLEXZARGE® **x** and from below onto the horizontal sealing tape without creases. Press all connections well.

## Mounting version 1



Mounting with pre-wall system

## Mounting version 2



Mounting left or right possible.

## VIDEO



INSTALLATION INSTRUCTIONS FOR GABAG FLEXZARGE® SCHNITTSCHUTZ® 3D CUT-PROTECTING MATERIAL ARE AVAILABLE AS A VIDEO AT:

[LINK WWW.GABAG.COM/FZ-3D-EN](http://WWW.GABAG.COM/FZ-3D-EN)

## ORDER INFORMATION

PRODUCT NUMBER: 8002 005

E-MAIL: BESTELLUNG@GABAG.COM